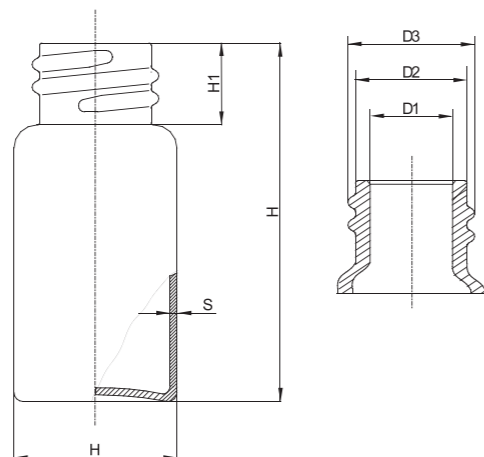


## Screw neck vials



The screw neck vials are made out of clear or amber borosilicate glass of the first hydrolytic class. The vials are packed in polypropylene trays and shrink wrapped with transparent foil. Additional options for these ISO screw neck vials are: screw caps, printing and filling.

NAFVSM also offers the possibility to produce vials according to clients individual requirements.

Nominal volume ml	Diameter x Length mm	Diameter (D) mm	D1 mm	D2 mm	D3 mm	Length (H) mm	H1 mm	Thread	Type thread	Wall thickness (S) mm	Quantity per box	Quantity per pallet	Article number
5	18 x 45	18	8.6	12.3	14.0	45	10.5	2.5	GL 14x2.5	1.0	250	51.000	651.1800045100.XF000
7.5	22 x 40	22	11.5	16.0	18.0	40	11.0	3.0	GL 18x3.0	1.0	250	34.000	651.2200040100.XF000
10	24 x 45	24	11.5	16.0	18.0	45	11.0	3.0	GL 18x3.0	1.0	202	42.016	651.2400045100.XF000
15	24 x 60	24	11.5	16.0	18.0	60	11.0	3.0	GL 18x3.0	1.0	202	42.016	651.2400060100.XF000
20	30 x 55	30	15.2	20.0	22.0	55	11.0	3.0	GL 22x3.0	1.2	135	28.080	651.3000055120.XF000
25	30 x 65	30	15.2	20.0	22.0	65	11.0	3.0	GL 22x3.0	1.2	135	28.080	651.3000065120.XF000
30	30 x 75	30	15.2	20.0	22.0	75	11.0	3.0	GL 22x3.0	1.2	135	28.080	651.3000075120.XF000

## Screw caps

The polypropylene screw caps contain a pharmaceutical rubber inlay (tebuka) and are suitable for autoclaving.

Screw cap	Material	Colour*	Qty/box	Article nr.
Capalu 16	Aluminium	Gold	5.000	697.1640016000.4S010
GL 14 x 2.5	Polypropylene	Black	24.000	693.1400012200.3S000
GL 18 x 3.0	Polypropylene	Black	24.000	693.1800013300.3S000
GL 22 x 3.0	Polypropylene	Black	20.000	693.2200013300.3S000



\*Other colours are available on request.

## Contact

For more information or if you would like to receive an offer, please contact our international sales department.

International sales: [export@naf-vsm.com](mailto:export@naf-vsm.com)

Sales Germany: [sales.de@naf-vsm.com](mailto:sales.de@naf-vsm.com)

Sales Spain: [sales.es@naf-vsm.com](mailto:sales.es@naf-vsm.com)

Sales France: [sales.fr@naf-vsm.com](mailto:sales.fr@naf-vsm.com)

Sales Netherlands / Belgium: [sales.nl@naf-vsm.com](mailto:sales.nl@naf-vsm.com)

## Plant Nijmegen

Marialaan 108

6541 RP Nijmegen, the Netherlands

Tel: +31-24-377.46.70

[www.naf-vsm.com](http://www.naf-vsm.com), e-mail: [info.nl@naf-vsm.com](mailto:info.nl@naf-vsm.com)

## Plant Andeville

35 Rue de Puits - Z.I. Angleterre

60570 Andeville, France

Tel: +33-3-44.52.64.90

[www.naf-vsm.com](http://www.naf-vsm.com), e-mail: [info.fr@naf-vsm.com](mailto:info.fr@naf-vsm.com)



# Quality in vials has a name...



GLASS PACKAGING

# NAFVSM

## EPA and Auto sampler vials

The EPA and auto sampler vials are made out of clear or amber borosilicate glass of the first hydrolytic class. The vials are packed in polypropylene trays, shrink wrapped with transparent foil. Additional options for these vials are: caps, different screw threads and printing.

Nominal volume ml	Diameter x Length mm	Diameter (D) mm	D1 mm	D2 mm	D3 mm	Length (H) mm	Type thread	Wall thickness (S) mm	Bottom type
1.5	11.6 x 32	11.6	5.4	7.6	8.75	32	8 -425	0.9	Flat
4	14.25 x 45	14.25	8.5	11.3	12.8	45	13-425	0.9	Flat
10	22.5 x 46	22.5	11.5	16.0	18.0	46	GL 18x3	1.0	Flat
20	22.5 x 75.5	22.5	11.5	16.0	18.0	75.5	GL 18x3	1.0	Flat
20	27.5 x 57	27.5	15.2	20.0	22.0	57	GL 22x3	1.2	Flat
25	28 x 65	28	15.2	20.0	22.0	65	GL 22x3	1.2	Flat
30	27.5 x 72.5	27.5	15.2	20.0	22.0	72.5	GL 22x3	1.2	Flat
30	28 x 75	28	15.2	20.0	22.0	75	GL 22x3	1.2	Flat
40	27.5 x 95	27.5	15.2	20.0	22.0	95	GL 22x3	1.2	Flat
60	27.5 x 140	27.5	15.2	20.0	22.0	140	GL 22x3	1.2	Flat

## Headspace vials and snap cap

The snap cap and headspace vials are made out of clear or amber borosilicate glass of the first hydrolytic class. The vials are packed in polypropylene trays, shrink wrapped with transparent foil. Additional options for these vials are: caps, different necks and printing.

Nominal volume ml	Diameter x Length mm	Diameter (D) mm	D1 mm	D2 mm	D3 mm	Length (H) mm	Neck type	Wall thickness (S) mm	Bottom type
1.5	11.6 x 32	11.6	6.25	8.3	10.8	32	ND11	0.9	Flat
5	22.5 x 38	22.5	12.6	16.5	20	38	ND20	1.0 / 1.2	Flat / Rounded
10	22.5 x 46	22.5	12.6	16.5	20	46	ND20	1.0 / 1.2	Flat / Rounded
20	22.5 x 75.5	22.5	12.6	16.5	20	75.5	ND20	1.0 / 1.2	Flat / Rounded

## Perfume vials

These perfume vials are mainly used for sampling. The vials are made out of clear soda lime glass of the third hydrolytic class. Additional options for these vials are: caps, printing and filling. It is even possible that we do the packing for the sampling. NAFVSM also offers the possibility to produce vials according to customer specifications.

Nominal volume ml	Diameter x Length mm	Diameter (D) mm	D1 mm	D2 mm	Length (H) mm	H1 mm	Wall thickness (S) mm	Quantity per Box	Quantity per Pallet	Article number
1	8 x 38	8	4.30	6.75	38	3.4	0.70	890	200.250	661.0800038070.XF000
2	10 x 47.5	10	4.30	6.75	48	3.4	0.80	568	154.496	661.1000048080.XF000

## Closures for perfume vials

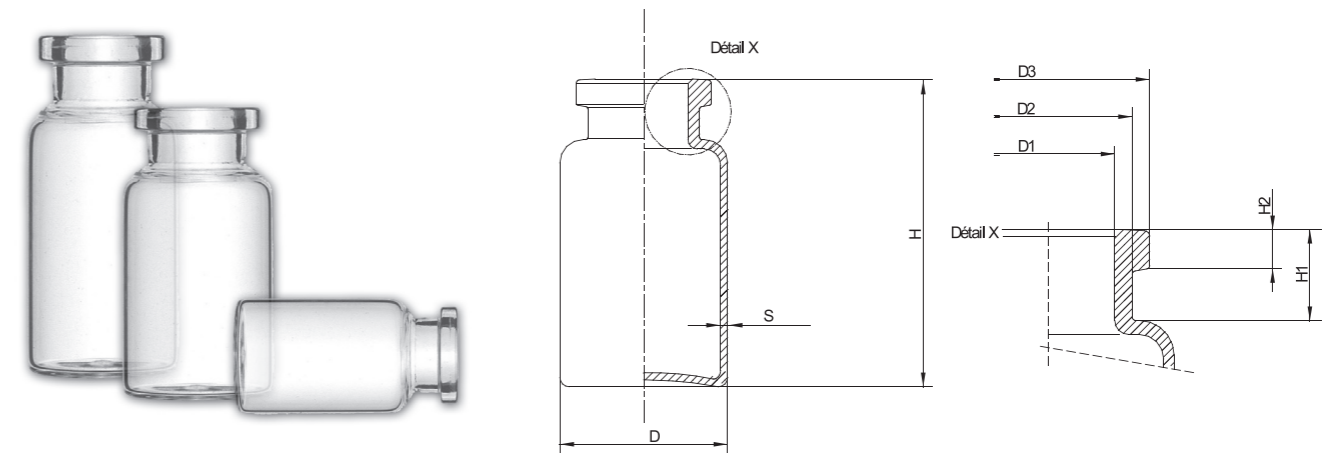
For the perfume vials there are many different closures available. It is all depending on the customers demand. We have closures available with or without a scent stick, with or without a hook.

Type	Material	Colour	Quantity per box	Quantity per pallet	Article number
With scent stick and hook	polypropylene	various colors	20.000	800.000	691.0420000000.5Pxxx
Without scent stick and hook	polypropylene	various colors	20.000	800.000	691.0420000000.5Pxxx

## Injection vials (ISO 8362)

The injection vials are made out of clear or amber borosilicate glass of the first hydrolytic class. Additional options for these ISO injection vials are: inlays, caps, printing and filling.

The bottom of the vials can be flat, rounded or round. For freeze drying (lyophilisation) a flat bottom is recommended. An additional option for these vials is the blow back type.



Type	Nominal volume ml	Diameter x Length mm	Diameter (D) mm	D1 mm	D2 mm	D3 mm	Length (H) mm	H1 mm	Neck type	Wall thickness (S) mm	Quantity per box	Quantity per pallet	Article number
2R	2	16 x 35	16	7.0	10.5	13.0	35	8.0	Crimp neck	1.0	480	99.840	661.1600035100.XF000
4R	4	16 x 45	16	7.0	10.5	13.0	45	8.0	Crimp neck	1.0	480	99.840	661.1600045100.XF000
6R	6	22 x 40	22	12.6	16.5	20.0	40	8.5	Crimp neck	1.0	250	34.000	661.2200040100.XF000
8R	8	22 x 45	22	12.6	16.5	20.0	45	8.5	Crimp neck	1.0	250	34.000	661.2200045100.XF000
10R	10	24 x 45	24	12.6	16.5	20.0	45	9.0	Crimp neck	1.0	202	42.016	661.2400045100.XF000
15R	15	24 x 60	24	12.6	16.5	20.0	60	9.0	Crimp neck	1.0	202	42.016	661.2400060100.XF000
20R	20	30 x 55	30	12.6	17.5	20.0	55	10.0	Crimp neck	1.2	135	28.080	661.3000055120.XF000
25R	25	30 x 65	30	12.6	17.5	20.0	65	10.0	Crimp neck	1.2	135	28.080	661.3000065120.XF000
30R	30	30 x 75	30	12.6	17.5	20.0	75	10.0	Crimp neck	1.2	135	28.080	661.3000075120.XF000
50R*	50	30 x 105	30	12.6	17.5	20.0	105	10.0	Crimp neck	1.2	84	13.104	661.3000105120.XF000

\*Non official ISO norm dimensions

## Aluminium crimp caps and tear off caps

Type	Material	Colour	Diameter mm	Article number
Tear off	Aluminium	Various colors	13.5	697.1400006000.4F000
Tear off	Aluminium	Various colors	20.0	697.2000008000.4F000



## Rubber stoppers

Type	Material	Colour	Diameter mm	Article number
Stopper	Rubber	Red	13.5	698.1240005000.3I000
Stopper	Rubber	Red	20.0	698.2000009000.3I000

## Snap cap

Type	Material	Colour	Diameter mm	Article number
Snap cap	Polypropylene	Transparent	20.0	691.2000014000.1C000
Tamper proof seal	Polypropylene	White	20.0	691.2000120000.1C000

